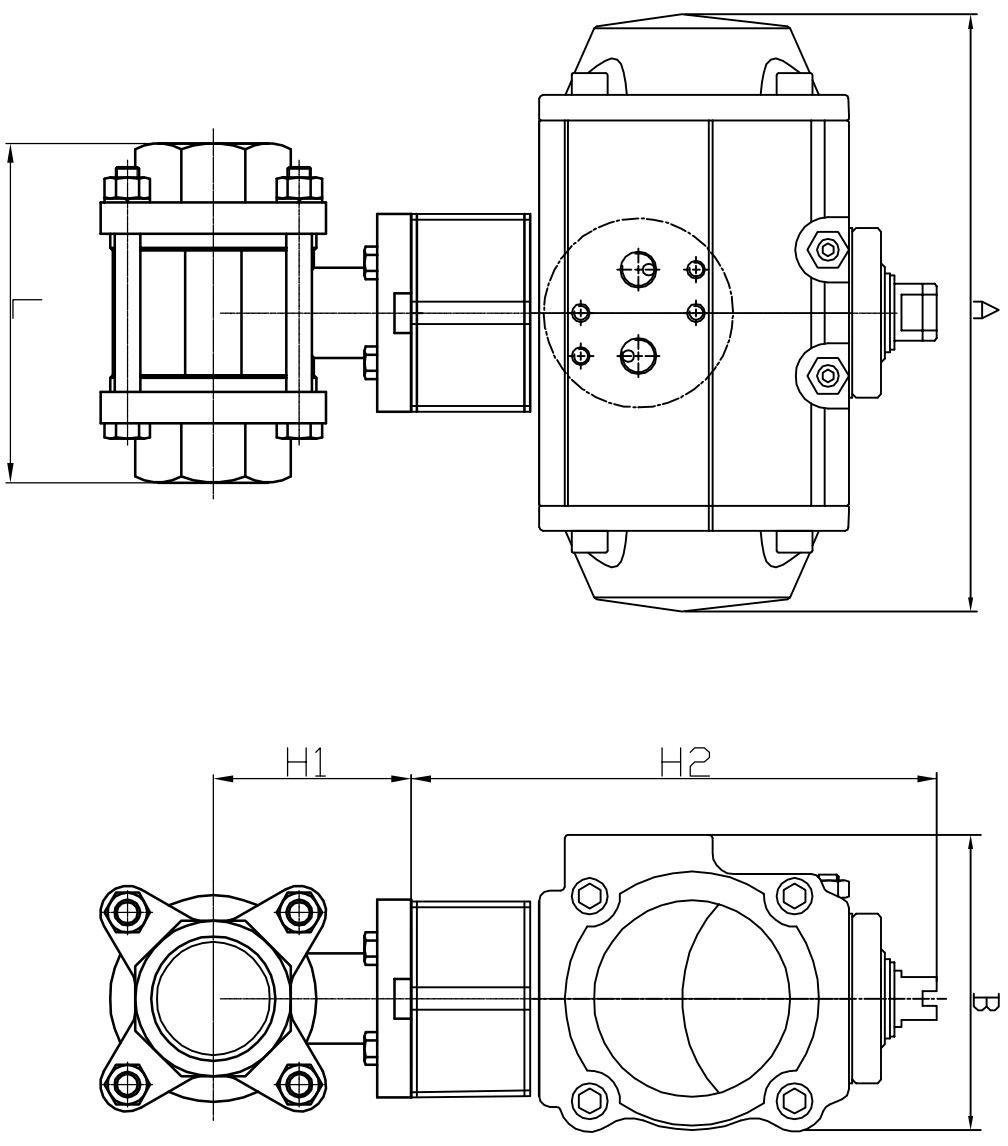


DIMENSIONS						UNIT : mm	
D N	L	H1	H2	A	B	Port	
15A	72	35	139	144	69	15	
20A	83	45	139	144	69	20	
25A	83	55	139	144	69	25	
32A	111	57	158	166	82	32	
40A	116	71	158	166	82	38	
50A	145	78	173	213	93	50	



7	ACTUATOR						
6	STEM	STS304	1				
5	V-PACKING	PTFE	1				
4	PACKING	PTFE	1				
3	SEAT	PTFE	1				
2	BALL	SSC13	1				
1	BODY	SSC13	1				
P.NO.	PART NAME	MATERIAL	Q'TY	REMARK			
△	FIRST ISSUE	06.04.15					
REV NO	REVISION NOTE	DATE	DRW	APP			

PNEUMATIC 2-WAY BALL VALVE

FILE NAME	15-50A					
DWG DES'N	CHK'D	APP'D	SCALE	: NS		
			DWG NO	PCD-008		



제이에스밸브