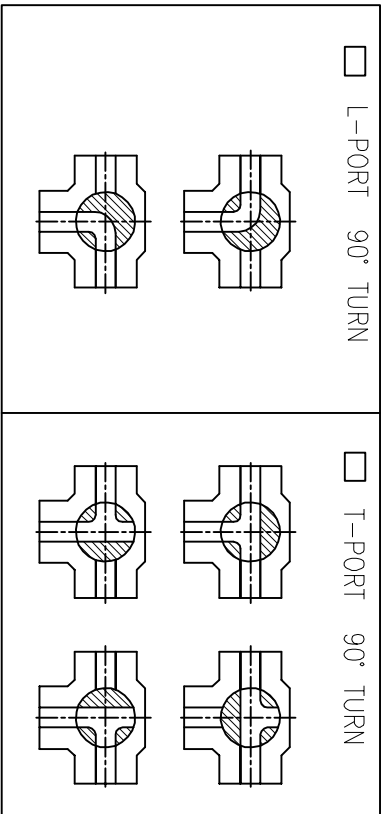
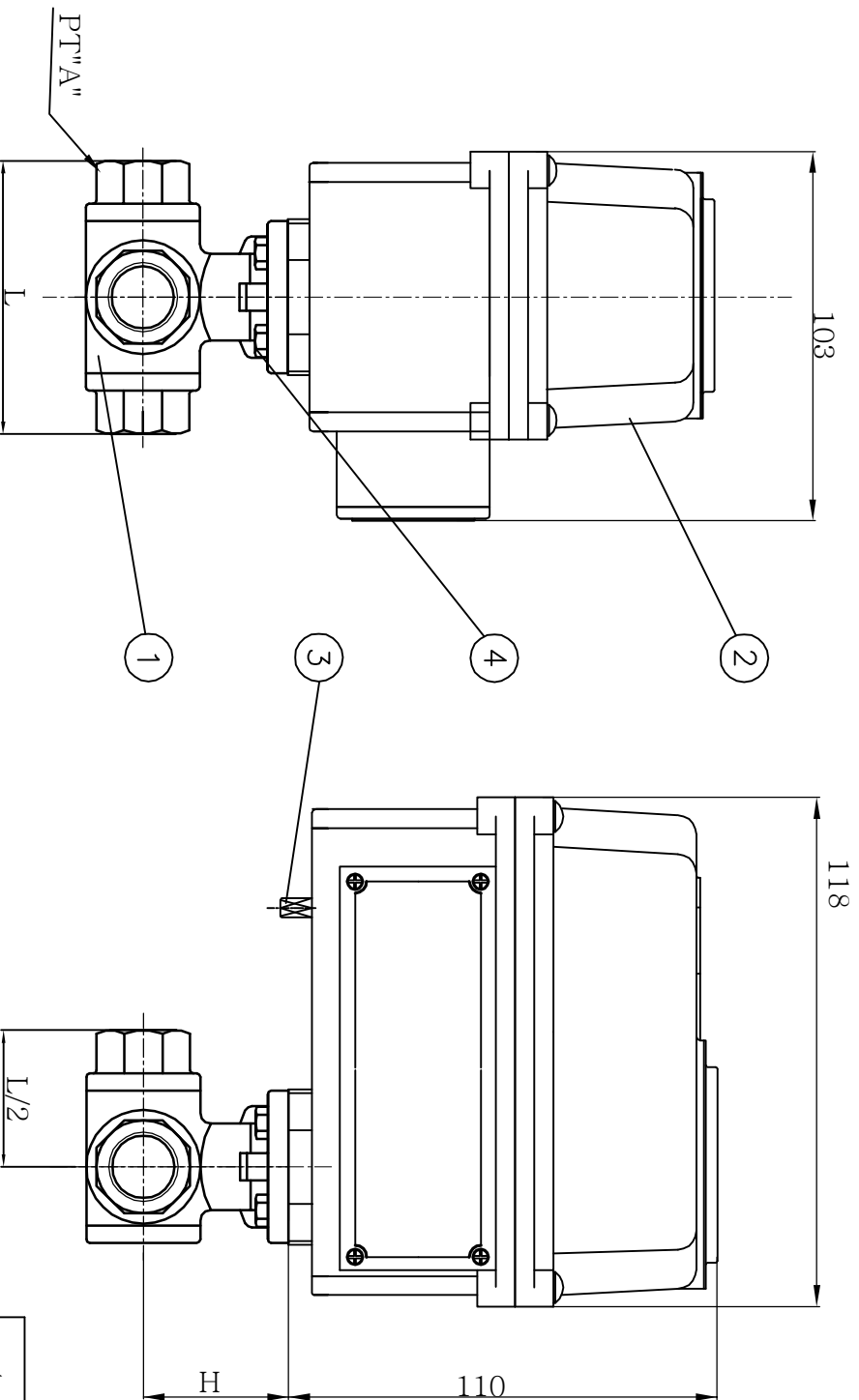


DIMENSIONS UNIT : mm

NOMINAL DIAMETER	A	L	H
15A	1/2	74	42
20A	3/4	88	49

KSB0222 PT SCREWED



4	BOLT	STSS304	1	
3	MANUAL OPERATER	SS400	1	
2	ELECTRIC ACTUATOR	AC4C	1	
1	BODY	SCS13	1	
NO	PART NAME	MATERIAL	Q'TY	REMARKS
△	FIRST ISSUE	09.02.12		
REV NO	REVISION NOTE	DATE	DRW	APP

ELECTRIC 3-WAY BALL VALVE

FILE NAME	15-20A			
DWG DES'N	CHK'D	APP'D	SCALE :	NS
			DWG NO	
			DWA-101-07	



제이에스밸브